

5F

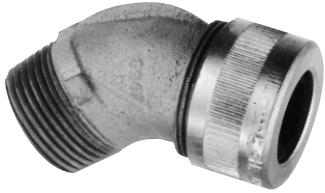
Cord and Cable Fittings

45° Angle Body Male Thread
 Sizes 1/2" - 3/4"

Cl. I, Div. 2*, Groups A,B,C,D
 Cl. II, Div. 1, Groups E,F,G
 Cl. II, Div. 2, Groups F,G
 Cl. III
 Wet Locations*

Cable and Cord Fittings
5F

Complete with gland nut and Neoprene bushing



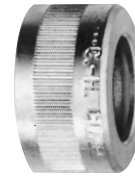
Body only



Neoprene bushing



Gland nut



Wire mesh grip



CGD 45° With Gland Nut and Tapered Neoprene Bushing ‡

Thread Size	Form	Cord Range Dia.	Inside Body Dia.	Complete with Gland Nut & Neoprene Bushing ♦ Cat. #	Body Only Cat. #	Neoprene Bushing Cat. #	Gland Nut Cat. #	Wire Mesh Grip ♦ Cat. #
1/2	B	.125 to .250	.500	CGD192	CGD:3832A	BUSH92	NUT94	
1/2	B	.250 to .375	.500	CGD193	CGD:3832A	BUSH93	NUT94	
1/2	B	.375 to .500†	.500	CGD194	CGD:3832A	BUSH94	NUT94	RPE417-115
1/2	B	.500 to .625†	.500	CGD195	CGD:3832A	BUSH05	NUT94	RPE417-116
1/2	C	.625 to .750†	.500	CGD196	CGD:5636B	BUSH96	NUT95	RPE417-117
1/2	C	.750 to .875†	.500	CGD197	CGD:5636B	BUSH97	NUT95	RPE421-119
3/4	B	.125 to .250	.688	CGD292	CGD:3967B	BUSH92	NUT94	
3/4	B	.250 to .375	.688	CGD293	CGD:3967B	BUSH93	NUT94	
3/4	B	.375 to .500	.688	CGD294	CGD:3967B	BUSH94	NUT94	RPE417-115
3/4	B	.500 to .625	.688	CGD295	CGD:3967B	BUSH05	NUT94	RPE417-116
3/4	C	.625 to .750†	.688	CGD296	CGD:5643B	BUSH96	NUT95	RPE417-117
3/4	C	.750 to .875†	.688	CGD297	CGD:5643B	BUSH97	NUT95	RPE421-119

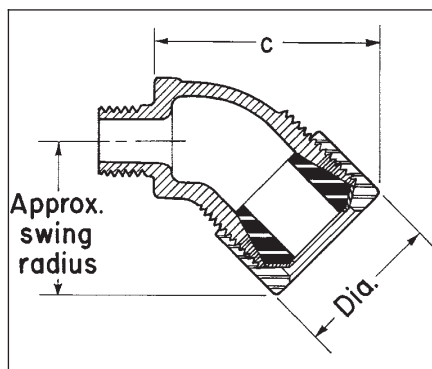
* May be used in hazardous locations with specific cords and cables when installed in accordance with NEC/CEC requirements.

† Remove sufficient outer covering of cord or cable to pass conductors through the connector body.

‡ A wide variety of connectors may be made up using combinations of bodies, gland nuts and Neoprene bushings, providing all parts are of the same form.

♦ Order wire mesh grip separately.

Dimensions



CGD assembly

Cat. #	Approx. Swing Radius	Dia.	c
CGD192	1 3/16	1 3/16	1 11/16
CGD193	1 3/16	1 3/16	1 11/16
CGD194	1 3/16	1 3/16	1 11/16
CGD195	1 3/16	1 3/16	1 11/16
CGD196	1 11/16	1 5/8	2 1/16
CGD197	1 11/16	1 5/8	2 1/16
CGD292	1 1/4	1 9/64	1 5/16
CGD293	1 1/4	1 9/64	1 5/16
CGD294	1 1/4	1 1/8	1 5/16
CGD295	1 1/4	1 1/8	1 5/16
CGD296	1 11/16	1 5/8	2
CGD297	1 11/16	1 5/8	2